

DriftClip® DSLD

Interior Head of Wall



Material Composition

ASTM A1003/A1003M Structural Grade 50 (340) Type H, ST50H (ST340H): 50ksi (340MPa) minimum yield strength, 65ksi (450MPa) minimum tensile strength, 33mil minimum thickness (20 gauge, 0.0346" design thickness) with ASTM A653/A653M G60 (Z180) hot dipped galvanized coating.

The attachment of DriftClip DSLD to the primary structure utilizes step bushings designed for #8 (0.164") screws. Designing this connection is the responsibility of the Structural Engineer of Record, and a minimum of two fasteners must be used.



US Patent #6,612,087

DriftClip DSLD Allowable (Unfactored) Loads¹

DriftClip® DSLD, Recommended Allowable Load (lbs): F2							
Stud		Fastener Pattern 1			Fastener Pattern 2		
Thickness Mils (ga)	Yield Strength (ksi)	DSLDD362 w/2 #8 Screws	DSLDD600 w/2 #8 Screws	DSLDD800 w/2 #8 Screws	DSLDD362 w/2 #8 Screws	DSLDD600 w/2 #8 Screws	DSLDD800 w/2 #8 Screws
18 (25)	33	70	132	132	27	107	132
27 (22)	33	70	178	199	27	107	183
33 (20)	33	70	178	199	27	107	183
33 (20)	50	70	178	199	27	107	183
43 (18)	33	70	178	199	27	107	183
43 (18)	50	70	178	199	27	107	183
54 (16)	33	70	178	199	27	107	183
54 (16)	50	70	178	199	27	107	183
Maximum Allowable Clip Load		70	178	199	27	107	183

Notes:

- Design loads are for attachment of DriftClip DSLD to stud only. Load tables reflect horizontal loads (F2).
- Attachment to structure engineered by others.
- Allowable loads have not been increased for wind, seismic, or other factors.
- Two (2) #8 screws are provided with each DriftClip DSLD for attachment to stud.
- DriftClip DSLD allows up to 2" of vertical deflection (1" up and 1" down), and 2" lateral drift (1" left and 1" right in plane). Deflection requirements greater than 2" lateral drift are available.

¹ For LRFD Design Strengths refer to ICC-ESR-2049.

Nomenclature

DriftClip DSLD is classified by multiplying stud depth by 100.

Example: 6" stud depth

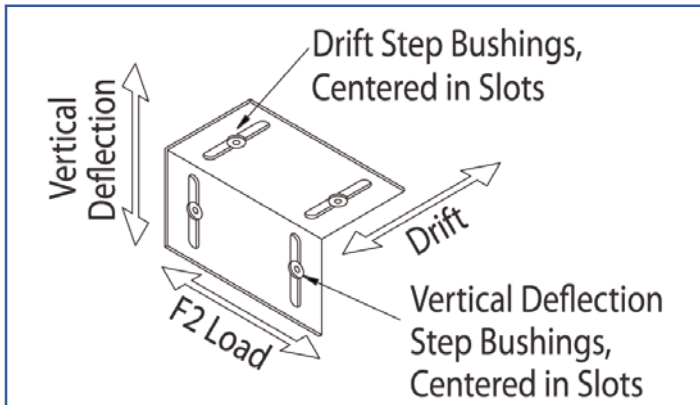
Designate: DriftClip® DSLD600

* Three screws & step bushings are available in 6" sizes and higher. Specify that 3 slots are needed when placing order.

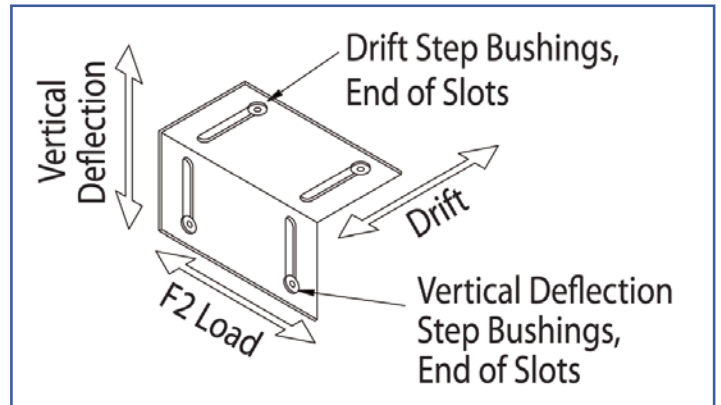
Load Direction



Fastener Patterns



Fastener Pattern 1 replicates a condition of out-of-plane wind or seismic force with no vertical live load deflection or in-plane drift.



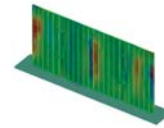
Fastener Pattern 2 replicates a condition of out-of-plane wind or seismic force with full vertical live load deflection and full in-plane drift.



UL2079 Head of Wall Assemblies



DriftClip DSLD362/400, DSLS600 & DSLD800
ICC-ESR-2049
www.icc-es.org



DriftClip DSLD Series
Blast and Seismic Design data
www.steelnetwork.com

** For more information or to review a copy of each of these reports, please visit our website at <http://www.steelnetwork.com/Site/TechnicalData>