

VertiClip® SLT

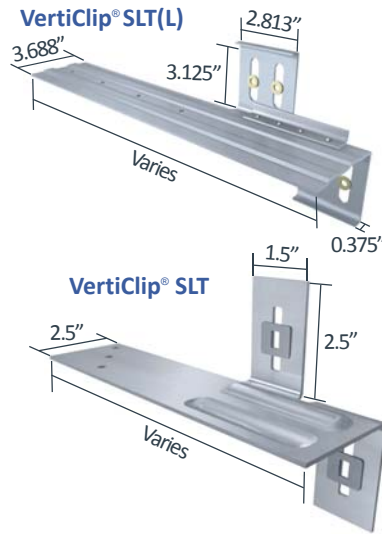
Structure/Slab Bypass



Material Composition

ASTM A1003/A1003M Structural Grade 50 (340) Type H, ST50H (ST340H): 50ksi (340MPa) minimum yield strength, 65ksi (450MPa) minimum tensile strength, 97mil minimum thickness (12 gauge, 0.1017" design thickness) with ASTM A653/A653M G90 (Z275) hot dipped galvanized coating.

The attachment of VertiClip to the primary structure may be made with PAF, screw/bolt anchors, or weld and is dependent upon the base material (steel or concrete) and the design configuration.



US Patents #5,467,566 & #5,906,080

VertiClip SLT Allowable (Unfactored) Loads¹

VertiClip® SLT, Recommended Allowable Load (lbs): F1 & F2											
Stud		F1 Load Direction				F2 Load Direction					
		SLT9.5	SLT(L)12, SLT(L)15 & SLT(L)18			SLT-9.5	SLT(L)12		SLT(L)15		SLT(L)18
Thickness Mils (ga)	Yield Strength (ksi)	w/2 #12 screws	w/2 #12 screws	w/4 #12 screws	w/2 #12 screws	w/2 #12 screws	w/4 #12 screws	w/2 #12 screws	w/4 #12 screws	w/2 #12 screws	w/4 #12 screws
33 (20)	33	190	190	380	376	376	754	376	744	376	700
33 (20)	50	275	275	452	510	544	903	544	744	544	700
43 (18)	33	248	248	452	510	560	903	560	744	560	700
43 (18)	50	341	359	452	510	810	903	744	744	700	700
54 (16)	33	312	312	452	510	789	903	744	744	700	700
54 (16)	50	341	450	452	510	903	903	744	744	700	700
68 (14)	50	341	452	452	510	903	903	744	744	700	700
97 (12)	50	341	452	452	510	903	903	744	744	700	700
Max Allowable Clip Load		341	452		510	903		744		700	

Notes:

- VertiClip SLT series is designed to support horizontal loads and must not be used in axial-load-bearing wall construction.
- Allowable loads have not been increased for wind, seismic, or other factors.
- #12 screws are provided with each Step Bushing.
- VertiClip SLT allows up to 2" of vertical deflection (1" up and 1" down).
- VertiClip SLT(L) allows up to 1.875" of vertical deflection (0.938" up and 0.938" down)

¹ For LRFD Design Strengths refer to ICC-ESR-2049.

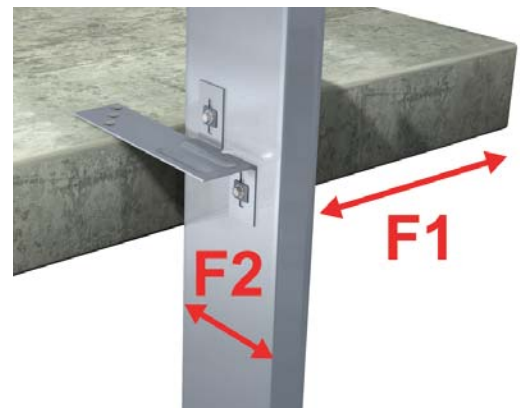
Nomenclature

VertiClip SLT is available in a length of 9 1/2". VertiClip SLT(L) is available in lengths of 12", 15", and 18". Determine length by adding stud + offset + 3" for steel (5.5" for concrete) and selecting the next largest size.

Example: 6" stud, 4" offset + 3"

Designate: VertiClip® SLT(L)15

Load Direction



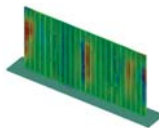
Example Details



VertiClip SLT attached to the underside of wide flange beam.



VertiClip SLT 9.5 & SLT(L)-18
ICC-ESR-2049
www.icc-es.org



VertiClip SLT Series
Blast and Seismic Design data
www.steelnetwork.com

*** For more information or to review a copy of each of these reports, please visit our website at <http://www.steelnetwork.com/Site/TechnicalData>*