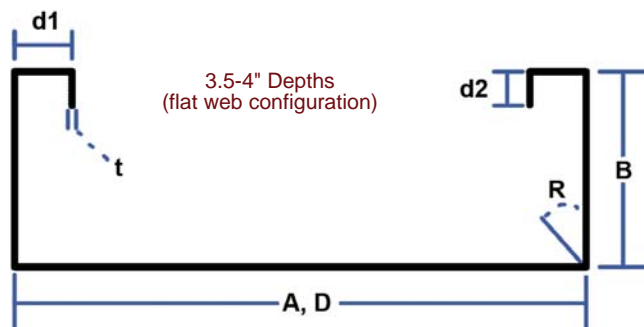


Important Notes

1. Section properties and capacities are calculated in accordance with AISI S100-07 with 2010 supplement.
2. Tabulated gross properties are based on the full-unreduced cross section of the studs, away from punchouts.
3. Effective section properties incorporate the strength increase from the cold-work of forming as applicable per AISI S100-07 Sec. A7.2.
4. Net effective section properties are calculated at a cross section through the punchout.
5. Allowable moment is the lesser of M_{al} and M_{ad} . Stud distortional buckling is based on an assumed $k_{\phi} = 0$.
6. For deflection calculations, use the effective moment of inertia.
7. The effective moment of inertia for deflection is calculated at a stress which results in a section modulus such that the stress times the section modulus at that stress is equal to the allowable moment. AISI S100-07 Procedure I for serviceability determination has been used.



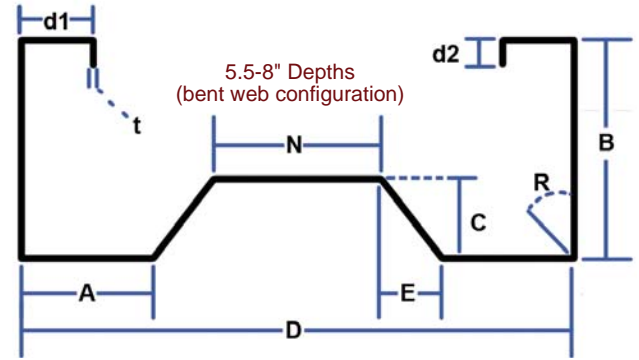
SigmaStud® Product Profile: 3.5" - 4" Stud Depths											
Section (All 50 ksi)	Overall Depth	Flange Width	Web Flat	Web Return	Web Return	Web Inside	Return Lip 1	Return Lip 2	Inside Bend Radius	Design Thickness	Unit Weight
	D	B	A	C	E	N	d1	d2	R	t	
	(in)	(in)	(in)	(in)	(in)	(in)	(in)	(in)	(in)	(in)	(lb/ft)
350SG200-33	3.5	2	3.5	N/A	N/A	N/A	0.5892	0.5	0.105	0.0346	1.078
350SG200-43	3.5	2	3.5	N/A	N/A	N/A	0.6102	0.5	0.105	0.0451	1.400
350SG200-54	3.5	2	3.5	N/A	N/A	N/A	0.6332	0.5	0.105	0.0566	1.749
350SG200-68	3.5	2	3.5	N/A	N/A	N/A	0.6626	0.5	0.105	0.0713	2.192
350SG200-97	3.5	2	3.5	N/A	N/A	N/A	0.7234	0.5	0.105	0.1017	3.092
350SG250-33	3.5	2.5	3.5	N/A	N/A	N/A	0.5892	0.5	0.105	0.0346	1.196
350SG250-43	3.5	2.5	3.5	N/A	N/A	N/A	0.6102	0.5	0.105	0.0451	1.553
350SG250-54	3.5	2.5	3.5	N/A	N/A	N/A	0.6332	0.5	0.105	0.0566	1.942
350SG250-68	3.5	2.5	3.5	N/A	N/A	N/A	0.6626	0.5	0.105	0.0713	2.435
350SG250-97	3.5	2.5	3.5	N/A	N/A	N/A	0.7234	0.5	0.105	0.1017	3.438
350SG350-68	3.5	3.5	3.5	N/A	N/A	N/A	0.6626	0.5	0.105	0.0713	2.920
350SG350-97	3.5	3.5	3.5	N/A	N/A	N/A	0.7234	0.5	0.105	0.1017	4.130
350SG350-118	3.5	3.5	3.5	N/A	N/A	N/A	0.7684	0.5	0.105	0.1242	5.005
362SG200-33	3.625	2	3.625	N/A	N/A	N/A	0.5892	0.5	0.105	0.0346	1.093
362SG200-43	3.625	2	3.625	N/A	N/A	N/A	0.6102	0.5	0.105	0.0451	1.419
362SG200-54	3.625	2	3.625	N/A	N/A	N/A	0.6332	0.5	0.105	0.0566	1.773
362SG200-68	3.625	2	3.625	N/A	N/A	N/A	0.6626	0.5	0.105	0.0713	2.222
362SG200-97	3.625	2	3.625	N/A	N/A	N/A	0.7234	0.5	0.105	0.1017	3.135
362SG250-33	3.625	2.5	3.625	N/A	N/A	N/A	0.5892	0.5	0.105	0.0346	1.210
362SG250-43	3.625	2.5	3.625	N/A	N/A	N/A	0.6102	0.5	0.105	0.0451	1.572
362SG250-54	3.625	2.5	3.625	N/A	N/A	N/A	0.6332	0.5	0.105	0.0566	1.966
362SG250-68	3.625	2.5	3.625	N/A	N/A	N/A	0.6626	0.5	0.105	0.0713	2.465
362SG250-97	3.625	2.5	3.625	N/A	N/A	N/A	0.7234	0.5	0.105	0.1017	3.481
362SG350-68	3.625	3.5	3.625	N/A	N/A	N/A	0.6626	0.5	0.105	0.0713	2.950
362SG350-97	3.625	3.5	3.625	N/A	N/A	N/A	0.7234	0.5	0.105	0.1017	4.173
362SG350-118	3.625	3.5	3.625	N/A	N/A	N/A	0.7684	0.5	0.105	0.1242	5.058
400SG200-33	4	2	4	N/A	N/A	N/A	0.5892	0.5	0.105	0.0346	1.137
400SG200-43	4	2	4	N/A	N/A	N/A	0.6102	0.5	0.105	0.0451	1.477
400SG200-54	4	2	4	N/A	N/A	N/A	0.6332	0.5	0.105	0.0566	1.846
400SG200-68	4	2	4	N/A	N/A	N/A	0.6626	0.5	0.105	0.0713	2.313
400SG200-97	4	2	4	N/A	N/A	N/A	0.7234	0.5	0.105	0.1017	3.265
400SG250-33	4	2.5	4	N/A	N/A	N/A	0.5892	0.5	0.105	0.0346	1.255
400SG250-43	4	2.5	4	N/A	N/A	N/A	0.6102	0.5	0.105	0.0451	1.630
400SG250-54	4	2.5	4	N/A	N/A	N/A	0.6332	0.5	0.105	0.0566	2.038
400SG250-68	4	2.5	4	N/A	N/A	N/A	0.6626	0.5	0.105	0.0713	2.556
400SG250-97	4	2.5	4	N/A	N/A	N/A	0.7234	0.5	0.105	0.1017	3.611
400SG350-68	4	3.5	4	N/A	N/A	N/A	0.6626	0.5	0.105	0.0713	3.041
400SG350-97	4	3.5	4	N/A	N/A	N/A	0.7234	0.5	0.105	0.1017	4.303
400SG350-118	4	3.5	4	N/A	N/A	N/A	0.7684	0.5	0.105	0.1242	5.216

Load Bearing Wall Members

SigmaStud® Product Profile

Important Notes

1. Section properties and capacities are calculated in accordance with AISI S100-07 with 2010 supplement.
2. Tabulated gross properties are based on the full-unreduced cross section of the studs, away from punchouts.
3. Effective section properties incorporate the strength increase from the cold-work of forming as applicable per AISI S100-07 Sec. A7.2.
4. Net effective section properties are calculated at a cross section through the punchout.
5. Allowable moment is the lesser of M_{al} and M_{ad} . Stud distortional buckling is based on an assumed $k_{\phi} = 0$.
6. For deflection calculations, use the effective moment of inertia.
7. The effective moment of inertia for deflection is calculated at a stress which results in a section modulus such that the stress times the section modulus at that stress is equal to the allowable moment. AISI S100-07 Procedure I for serviceability determination has been used.



SigmaStud® Product Profile: 5.5" - 8" Stud Depths 5.5" - 8"											
Section (All 50 ksi)	Overall Depth	Flange Width	Web Flat	Web Return	Web Return	Web Inside	Return Lip 1	Return Lip 2	Inside Bend Radius	Design Thickness	Unit Weight
	D (in)	B (in)	A (in)	C (in)	E (in)	N (in)	d1 (in)	d2 (in)	R (in)	t (in)	(lb/ft)
550SG162-33	5.5	1.625	1	1	0.625	2.25	0.5	0	0.105	0.0346	1.232
550SG162-43	5.5	1.625	1	1	0.625	2.25	0.5	0	0.105	0.0451	1.598
550SG200-33	5.5	2	1	1	0.625	2.25	0.5892	0.5	0.105	0.0346	1.438
550SG200-43	5.5	2	1	1	0.625	2.25	0.6102	0.5	0.105	0.0451	1.869
550SG200-54	5.5	2	1	1	0.625	2.25	0.6332	0.5	0.105	0.0566	2.338
550SG200-68	5.5	2	1	1	0.625	2.25	0.6626	0.5	0.105	0.0713	2.933
550SG200-97	5.5	2	1	1	0.625	2.25	0.7234	0.5	0.105	0.1017	4.147
550SG250-33	5.5	2.5	1	1	0.625	2.25	0.5892	0.5	0.105	0.0346	1.556
550SG250-43	5.5	2.5	1	1	0.625	2.25	0.6102	0.5	0.105	0.0451	2.023
550SG250-54	5.5	2.5	1	1	0.625	2.25	0.6332	0.5	0.105	0.0566	2.531
550SG250-68	5.5	2.5	1	1	0.625	2.25	0.6626	0.5	0.105	0.0713	3.176
550SG250-97	5.5	2.5	1	1	0.625	2.25	0.7234	0.5	0.105	0.1017	4.493
550SG300-43	5.5	3	1	1	0.625	2.25	0.6102	0.5	0.105	0.0451	2.176
550SG300-54	5.5	3	1	1	0.625	2.25	0.6332	0.5	0.105	0.0566	2.723
550SG300-68	5.5	3	1	1	0.625	2.25	0.6626	0.5	0.105	0.0713	3.418
550SG300-97	5.5	3	1	1	0.625	2.25	0.7234	0.5	0.105	0.1017	4.839
550SG300-118	5.5	3	1	1	0.625	2.25	0.7684	0.5	0.105	0.1242	5.867
600SG162-33	6	1.625	1.25	1	0.625	2.25	0.5	0	0.105	0.0346	1.291
600SG162-43	6	1.625	1.25	1	0.625	2.25	0.5	0	0.105	0.0451	1.674
600SG200-33	6	2	1.25	1	0.625	2.25	0.5892	0.5	0.105	0.0346	1.497
600SG200-43	6	2	1.25	1	0.625	2.25	0.6102	0.5	0.105	0.0451	1.946
600SG200-54	6	2	1.25	1	0.625	2.25	0.6332	0.5	0.105	0.0566	2.435
600SG200-68	6	2	1.25	1	0.625	2.25	0.6626	0.5	0.105	0.0713	3.054
600SG200-97	6	2	1.25	1	0.625	2.25	0.7234	0.5	0.105	0.1017	4.320
600SG250-33	6	2.5	1.25	1	0.625	2.25	0.5892	0.5	0.105	0.0346	1.615
600SG250-43	6	2.5	1.25	1	0.625	2.25	0.6102	0.5	0.105	0.0451	2.100
600SG250-54	6	2.5	1.25	1	0.625	2.25	0.6332	0.5	0.105	0.0566	2.627
600SG250-68	6	2.5	1.25	1	0.625	2.25	0.6626	0.5	0.105	0.0713	3.297
600SG250-97	6	2.5	1.25	1	0.625	2.25	0.7234	0.5	0.105	0.1017	4.666
600SG300-43	6	3	1.25	1	0.625	2.25	0.6102	0.5	0.105	0.0451	2.253
600SG300-54	6	3	1.25	1	0.625	2.25	0.6332	0.5	0.105	0.0566	2.820
600SG300-68	6	3	1.25	1	0.625	2.25	0.6626	0.5	0.105	0.0713	3.540
600SG300-97	6	3	1.25	1	0.625	2.25	0.7234	0.5	0.105	0.1017	5.012
600SG300-118	6	3	1.25	1	0.625	2.25	0.7684	0.5	0.105	0.1242	6.078
800SG162-33	8	1.625	2.25	1	0.625	2.25	0.5	0	0.105	0.0346	1.526
800SG162-43	8	1.625	2.25	1	0.625	2.25	0.5	0	0.105	0.0451	1.981
800SG200-33	8	2	2.25	1	0.625	2.25	0.5892	0.5	0.105	0.0346	1.733
800SG200-43	8	2	2.25	1	0.625	2.25	0.6102	0.5	0.105	0.0451	2.253
800SG200-54	8	2	2.25	1	0.625	2.25	0.6332	0.5	0.105	0.0566	2.820
800SG200-68	8	2	2.25	1	0.625	2.25	0.6626	0.5	0.105	0.0713	3.540
800SG200-97	8	2	2.25	1	0.625	2.25	0.7234	0.5	0.105	0.1017	5.012
800SG250-33	8	2.5	2.25	1	0.625	2.25	0.5892	0.5	0.105	0.0346	1.851
800SG250-43	8	2.5	2.25	1	0.625	2.25	0.6102	0.5	0.105	0.0451	2.406
800SG250-54	8	2.5	2.25	1	0.625	2.25	0.6332	0.5	0.105	0.0566	3.012
800SG250-68	8	2.5	2.25	1	0.625	2.25	0.6626	0.5	0.105	0.0713	3.782
800SG250-97	8	2.5	2.25	1	0.625	2.25	0.7234	0.5	0.105	0.1017	5.358
800SG300-43	8	3	2.25	1	0.625	2.25	0.6102	0.5	0.105	0.0451	2.560
800SG300-54	8	3	2.25	1	0.625	2.25	0.6332	0.5	0.105	0.0566	3.205
800SG300-68	8	3	2.25	1	0.625	2.25	0.6626	0.5	0.105	0.0713	4.025
800SG300-97	8	3	2.25	1	0.625	2.25	0.7234	0.5	0.105	0.1017	5.704
800SG300-118	8	3	2.25	1	0.625	2.25	0.7684	0.5	0.105	0.1242	6.922

Important Notes

1. Section properties and capacities are calculated in accordance with AISI S100-07 with 2010 supplement.
2. Tabulated gross properties are based on the full-unreduced cross section of the studs, away from punchouts.
3. Effective section properties incorporate the strength increase from the cold-work of forming as applicable per AISI S100-07 Sec. A7.2.
4. Net effective section properties are calculated at a cross section through the punchout.
5. Allowable moment is the lesser of M_{al} and M_{ad} . Stud distortional buckling is based on an assumed $k_{\phi} = 0$.
6. For deflection calculations, use the effective moment of inertia.
7. The effective moment of inertia for deflection is calculated at a stress which results in a section modulus such that the stress times the section modulus at that stress is equal to the allowable moment. AISI S100-07 Procedure I for serviceability determination has been used.

SigmaStud® Section Properties																					
Section (All 50 ksi)	Gross Properties						Torsional Properties						Effective Properties 50 ksi								
	Area	I_x	S_x	R_x	I_y	R_y	$J \times 10^6$	C_w	R_o	X_o	m	β	$A_{e(net)}$	I_x	S_x	$S_{x(net)}$	M_{al}	$M_{al(net)}$	M_{sid}	V_a	$V_{a(net)}$
	(in ²)	(in ⁴)	(in ³)	(in)	(in ⁴)	(in)	(in ⁶)	(in ⁶)	(in)	(in)	(in)		(in ²)	(in ⁴)	(in ³)	(in ²)	(in ³)	(kips-in)	(kips-in)	(kips-in)	(lbs)
350SG200-33	0.317	0.630	0.360	1.410	0.194	0.782	0.126	0.718	2.549	-1.975	1.178	0.400	0.201	0.615	0.310	0.283	9.295	8.479	8.570	1145	527
350SG200-43	0.411	0.810	0.463	1.404	0.249	0.779	0.279	0.929	2.541	-1.969	1.176	0.399	0.293	0.810	0.430	0.406	12.878	12.161	12.176	2141	747
350SG200-54	0.514	1.003	0.573	1.397	0.309	0.775	0.549	1.158	2.531	-1.963	1.173	0.398	0.384	1.003	0.550	0.530	16.470	15.871	16.295	3371	925
350SG200-68	0.644	1.241	0.709	1.388	0.382	0.770	1.091	1.444	2.519	-1.955	1.169	0.397	0.529	1.241	0.709	0.696	23.531	20.831	21.230	4208	900
350SG200-97	0.909	1.705	0.974	1.370	0.525	0.760	3.132	2.017	2.492	-1.938	1.160	0.395	0.756	1.705	0.974	0.958	33.387	32.831	29.168	5886	850
350SG250-33	0.351	0.734	0.419	1.445	0.329	0.967	0.140	1.206	3.025	-2.476	1.448	0.330	0.210	0.692	0.331	0.300	9.904	8.995	9.106	1145	527
350SG250-43	0.456	0.945	0.540	1.439	0.424	0.964	0.309	1.565	3.017	-2.471	1.445	0.329	0.292	0.933	0.447	0.418	13.371	12.505	13.045	2141	747
350SG250-54	0.571	1.171	0.669	1.432	0.526	0.960	0.609	1.953	3.008	-2.465	1.442	0.329	0.383	1.171	0.571	0.545	17.099	16.324	17.616	3371	925
350SG250-68	0.715	1.450	0.829	1.424	0.653	0.955	1.212	2.443	2.996	-2.457	1.439	0.328	0.519	1.450	0.748	0.728	22.400	21.809	23.676	4208	900
350SG250-97	1.010	1.999	1.142	1.406	0.904	0.946	3.483	3.431	2.972	-2.441	1.430	0.325	0.858	1.999	1.125	1.107	37.597	37.006	34.192	5886	850
350SG350-68	0.858	1.870	1.068	1.476	1.471	1.309	1.454	5.401	3.980	-3.456	1.965	0.246	0.535	1.812	0.804	0.774	24.073	23.179	26.651	4208	900
350SG350-97	1.214	2.586	1.478	1.460	2.050	1.300	4.184	7.627	3.958	-3.441	1.957	0.244	0.866	2.574	1.267	1.238	37.945	37.068	42.171	5886	850
350SG350-118	1.471	3.082	1.761	1.448	2.457	1.293	7.538	9.227	3.941	-3.430	1.951	0.243	1.173	3.082	1.670	1.644	50.000	49.221	52.725	7073	814
362SG200-33	0.321	0.683	0.377	1.459	0.196	0.782	0.128	0.759	2.561	-1.954	1.168	0.418	0.202	0.667	0.326	0.295	9.754	8.842	8.919	1102	544
362SG200-43	0.417	0.879	0.485	1.452	0.253	0.779	0.283	0.983	2.552	-1.948	1.166	0.417	0.293	0.879	0.451	0.424	13.504	12.690	12.685	2141	802
362SG200-54	0.521	1.089	0.601	1.445	0.313	0.775	0.556	1.224	2.542	-1.942	1.163	0.416	0.385	1.089	0.577	0.553	17.261	16.571	16.994	3372	994
362SG200-68	0.653	1.348	0.744	1.437	0.388	0.770	1.107	1.526	2.530	-1.934	1.159	0.415	0.532	1.348	0.744	0.728	24.678	21.799	22.265	4375	1007
362SG200-97	0.921	1.854	1.023	1.419	0.533	0.761	3.176	2.130	2.504	-1.918	1.150	0.413	0.769	1.854	1.023	1.007	35.050	34.514	30.621	6124	954
362SG250-33	0.356	0.795	0.438	1.495	0.333	0.968	0.142	1.277	3.031	-2.453	1.437	0.345	0.210	0.750	0.347	0.313	10.387	9.375	9.461	1102	544
362SG250-43	0.462	1.024	0.565	1.489	0.430	0.964	0.313	1.656	3.023	-2.447	1.435	0.344	0.293	1.011	0.468	0.435	14.012	13.038	13.565	2141	802
362SG250-54	0.578	1.269	0.700	1.482	0.533	0.961	0.617	2.066	3.014	-2.442	1.432	0.344	0.385	1.269	0.598	0.569	17.908	17.031	18.335	3372	994
362SG250-68	0.724	1.573	0.868	1.474	0.662	0.956	1.227	2.583	3.002	-2.434	1.428	0.342	0.522	1.573	0.783	0.761	23.449	22.775	24.670	4375	1007
362SG250-97	1.023	2.169	1.197	1.456	0.916	0.946	3.527	3.625	2.977	-2.418	1.420	0.340	0.870	2.169	1.178	1.161	39.389	38.814	35.835	6124	954
362SG350-68	0.867	2.023	1.116	1.528	1.491	1.311	1.469	5.715	3.977	-3.430	1.954	0.256	0.538	1.961	0.841	0.808	25.186	24.190	27.689	4375	1007
362SG350-97	1.226	2.801	1.545	1.511	2.078	1.302	4.228	8.065	3.955	-3.415	1.947	0.254	0.879	2.787	1.325	1.296	39.672	38.798	43.895	6124	954
362SG350-118	1.486	3.340	1.843	1.499	2.491	1.295	7.617	9.753	3.938	-3.404	1.941	0.253	1.189	3.340	1.746	1.721	52.284	51.518	55.170	7363	917
400SG200-33	0.334	0.859	0.429	1.603	0.204	0.782	0.133	0.895	2.602	-1.894	1.139	0.470	0.202	0.840	0.373	0.332	11.168	9.928	9.971	991	589
400SG200-43	0.434	1.107	0.553	1.597	0.263	0.778	0.294	1.157	2.593	-1.889	1.136	0.469	0.295	1.107	0.515	0.477	15.429	14.276	14.220	2141	967
400SG200-54	0.542	1.371	0.686	1.590	0.325	0.775	0.579	1.440	2.583	-1.883	1.133	0.469	0.389	1.371	0.658	0.624	19.693	18.673	19.109	3372	1201
400SG200-68	0.680	1.700	0.850	1.581	0.403	0.770	1.152	1.794	2.571	-1.875	1.129	0.468	0.540	1.700	0.850	0.825	28.202	24.708	25.444	4876	1360
400SG200-97	0.959	2.344	1.172	1.563	0.555	0.760	3.308	2.498	2.544	-1.858	1.121	0.467	0.806	2.344	1.172	1.158	40.162	34.664	35.087	6839	1299
400SG250-33	0.369	0.995	0.497	1.643	0.346	0.969	0.147	1.506	3.055	-2.386	1.407	0.390	0.211	0.941	0.397	0.351	11.873	10.514	10.530	991	589
400SG250-43	0.479	1.283	0.641	1.637	0.446	0.965	0.325	1.951	3.046	-2.381	1.404	0.389	0.294	1.268	0.534	0.489	15.981	14.635	15.133	2141	967
400SG250-54	0.599	1.591	0.796	1.630	0.554	0.962	0.640	2.432	3.037	-2.375	1.401	0.388	0.388	1.591	0.681	0.640	20.397	19.150	20.506	3372	1201
400SG250-68	0.751	1.975	0.987	1.622	0.688	0.957	1.273	3.038	3.025	-2.368	1.398	0.387	0.530	1.975	0.891	0.858	26.669	25.675	27.679	4876	1360
400SG250-97	1.061	2.730	1.365	1.604	0.953	0.948	3.658	4.255	3.000	-2.352	1.390	0.386	0.908	2.730	1.343	1.351	44.884	40.448	40.871	6839	1299
400SG350-68	0.894	2.525	1.263	1.681	1.547	1.316	1.514	6.736	3.976	-3.354	1.922	0.288	0.545	2.447	0.955	0.909	28.602	27.223	30.818	4876	1360
400SG350-97	1.265	3.503	1.751	1.664	2.158	1.306	4.360	9.488	3.953	-3.339	1.915	0.286	0.917	3.483	1.502	1.473	44.961	44.092	49.104	6839	1299
400SG350-118	1.533	4.184	2.092	1.652	2.587	1.299	7.855	11.458	3.936	-3.328	1.909	0.285	1.235	4.184	1.980	1.955	59.268	58.533	62.640	8235	1256

Refer to Important Table Notes on Page 5

SigmaStud® Section Properties																					
Section (All 50 ksi)	Gross Properties						Torsional Properties						Effective Properties 50 ksi								
	Area	I _x	S _x	R _x	I _y	R _y	Jx10 ³	C _w	R _o	X _o	m	β	A _{e(net)}	I _x	S _x	S _{x(net)}	M _{al}	M _{al(net)}	M _{sd}	V _a	V _{a(net)}
	(in ²)	(in ⁴)	(in ³)	(in)	(in ⁴)	(in)	(in ³)	(in ⁴)	(in)	(in)	(in)		(in ²)	(in ⁴)	(in ³)	(in ³)	(kips-in)	(kips-in)	(kips-in)	(lbs)	(lbs)
550SG162-33	0.362	1.522	0.554	2.051	0.096	0.514	0.144	0.864	2.124	-0.203	0.495	0.991	0.261	1.522	0.498	0.492	14.920	14.716	11.731	997	587
550SG162-43	0.469	1.963	0.714	2.045	0.122	0.510	0.318	1.097	2.116	-0.191	0.504	0.992	0.364	1.963	0.663	0.655	19.843	19.611	16.926	2141	952
550SG200-33	0.423	1.882	0.684	2.110	0.175	0.643	0.169	1.783	2.319	-0.716	0.160	0.905	0.315	1.855	0.609	0.602	18.234	18.016	14.840	997	587
550SG200-43	0.549	2.432	0.884	2.104	0.225	0.640	0.372	2.294	2.310	-0.708	0.165	0.906	0.447	2.432	0.833	0.826	24.934	24.718	21.359	2141	952
550SG200-54	0.687	3.023	1.099	2.097	0.278	0.636	0.734	2.838	2.301	-0.700	0.172	0.907	0.577	3.023	1.058	1.050	31.665	31.425	28.982	3372	1176
550SG200-68	0.862	3.761	1.368	2.089	0.344	0.631	1.460	3.510	2.289	-0.689	0.180	0.909	0.755	3.761	1.368	1.361	45.387	45.149	39.170	4793	1298
550SG200-97	1.219	5.229	1.901	2.072	0.471	0.622	4.201	4.816	2.263	-0.667	0.197	0.913	1.066	5.229	1.901	1.891	65.164	64.815	56.931	6657	1207
550SG250-33	0.457	2.140	0.778	2.163	0.302	0.813	0.182	2.936	2.584	-1.157	0.109	0.800	0.324	2.051	0.644	0.634	19.272	18.975	15.414	997	587
550SG250-43	0.594	2.767	1.006	2.158	0.389	0.809	0.403	3.788	2.575	-1.149	0.104	0.801	0.446	2.744	0.860	0.848	25.735	25.384	22.319	2141	952
550SG250-54	0.744	3.442	1.252	2.151	0.483	0.806	0.794	4.701	2.565	-1.141	0.098	0.802	0.576	3.442	1.092	1.078	32.686	32.274	30.488	3372	1176
550SG250-68	0.933	4.286	1.559	2.143	0.599	0.801	1.581	5.835	2.552	-1.131	0.090	0.804	0.745	4.286	1.418	1.403	42.443	42.007	41.569	4793	1298
550SG250-97	1.320	5.970	2.171	2.126	0.826	0.791	4.552	8.069	2.525	-1.108	0.073	0.807	1.168	5.970	2.133	2.121	71.321	70.907	64.998	6657	1207
550SG300-43	0.639	3.103	1.128	2.203	0.622	0.987	0.434	5.742	2.894	-1.597	0.369	0.695	0.443	2.984	0.876	0.859	26.214	25.729	23.034	2141	952
550SG300-54	0.800	3.861	1.404	2.197	0.773	0.983	0.855	7.139	2.884	-1.589	0.363	0.696	0.580	3.725	1.128	1.110	33.781	33.222	31.625	3372	1176
550SG300-68	1.004	4.812	1.750	2.189	0.960	0.978	1.702	8.883	2.870	-1.579	0.355	0.697	0.756	4.753	1.476	1.455	44.180	43.572	43.406	4793	1298
550SG300-97	1.422	6.711	2.440	2.172	1.332	0.968	4.902	12.348	2.843	-1.557	0.340	0.700	1.187	6.711	2.310	2.293	69.159	68.650	69.483	6657	1207
550SG300-118	1.724	8.048	2.927	2.161	1.590	0.960	8.837	14.766	2.822	-1.541	0.328	0.702	1.486	8.048	2.812	2.793	93.863	93.245	87.622	7956	1142
600SG162-33	0.379	1.854	0.618	2.211	0.104	0.523	0.151	1.090	2.284	-0.234	0.432	0.990	0.279	1.854	0.558	0.551	16.702	16.505	12.720	878	634
600SG162-43	0.492	2.392	0.797	2.205	0.133	0.519	0.334	1.386	2.276	-0.222	0.441	0.990	0.386	2.392	0.741	0.734	22.192	21.969	18.413	1959	1073
600SG200-33	0.440	2.291	0.764	2.282	0.187	0.653	0.176	2.203	2.487	-0.744	0.097	0.910	0.333	2.262	0.682	0.675	20.417	20.203	16.201	878	634
600SG200-43	0.572	2.962	0.987	2.276	0.241	0.650	0.388	2.837	2.479	-0.737	0.102	0.912	0.470	2.962	0.931	0.924	27.880	27.673	23.374	1959	1073
600SG200-54	0.715	3.683	1.228	2.269	0.299	0.646	0.764	3.513	2.469	-0.729	0.108	0.913	0.605	3.683	1.182	1.174	35.379	35.150	31.797	3372	1451
600SG200-68	0.898	4.586	1.529	2.261	0.370	0.642	1.521	4.350	2.457	-0.719	0.116	0.914	0.791	4.586	1.529	1.522	50.735	50.518	43.111	5350	1796
600SG200-97	1.269	6.386	2.129	2.243	0.508	0.633	4.376	5.980	2.432	-0.697	0.133	0.918	1.117	6.386	2.129	2.119	72.948	72.629	63.731	7610	1726
600SG250-33	0.475	2.599	0.866	2.340	0.320	0.822	0.189	3.590	2.747	-1.180	0.170	0.815	0.341	2.496	0.720	0.710	21.563	21.269	16.810	878	634
600SG250-43	0.617	3.362	1.121	2.334	0.413	0.818	0.418	4.633	2.737	-1.173	0.165	0.816	0.469	3.339	0.961	0.949	28.760	28.412	24.389	1959	1073
600SG250-54	0.772	4.183	1.394	2.328	0.513	0.815	0.824	5.752	2.728	-1.165	0.160	0.818	0.604	4.183	1.219	1.206	36.501	36.093	33.384	3372	1451
600SG250-68	0.969	5.213	1.738	2.320	0.636	0.810	1.642	7.145	2.715	-1.155	0.152	0.819	0.780	5.213	1.582	1.567	47.351	46.922	45.633	5350	1796
600SG250-97	1.371	7.270	2.423	2.303	0.879	0.800	4.727	9.893	2.688	-1.133	0.137	0.822	1.219	7.270	2.381	2.369	79.592	79.202	72.361	7610	1726
600SG300-43	0.662	3.761	1.254	2.384	0.655	0.995	0.449	6.972	3.047	-1.616	0.429	0.719	0.466	3.628	0.979	0.962	29.297	28.809	25.131	1959	1073
600SG300-54	0.829	4.683	1.561	2.377	0.814	0.991	0.885	8.670	3.036	-1.608	0.424	0.720	0.608	4.526	1.260	1.241	37.713	37.153	34.564	3372	1451
600SG300-68	1.040	5.840	1.947	2.369	1.012	0.986	1.763	10.793	3.023	-1.598	0.417	0.721	0.791	5.775	1.646	1.625	49.272	48.663	47.543	5350	1796
600SG300-97	1.473	8.155	2.718	2.353	1.404	0.976	5.078	15.015	2.996	-1.577	0.402	0.723	1.238	8.155	2.572	2.556	77.021	76.525	76.434	7610	1726
600SG300-118	1.786	9.789	3.263	2.341	1.678	0.969	9.154	17.967	2.976	-1.562	0.391	0.725	1.548	9.789	3.134	3.116	104.620	104.024	97.696	9118	1649
800SG162-33	0.448	3.631	0.908	2.845	0.130	0.538	0.179	2.193	2.912	-0.302	0.261	0.989	0.298	3.631	0.754	0.744	22.576	22.270	16.445	595	595
800SG162-43	0.582	4.691	1.173	2.839	0.166	0.534	0.395	2.796	2.903	-0.292	0.269	0.990	0.439	4.691	1.056	1.047	31.604	31.335	24.107	1324	1269
800SG200-33	0.509	4.453	1.113	2.957	0.230	0.672	0.203	4.278	3.134	-0.791	0.064	0.936	0.352	4.422	0.930	0.919	27.843	27.525	21.591	595	595
800SG200-43	0.662	5.765	1.441	2.951	0.296	0.669	0.449	5.516	3.126	-0.784	0.059	0.937	0.522	5.765	1.325	1.317	39.673	39.425	31.423	1324	1269
800SG200-54	0.829	7.181	1.795	2.944	0.367	0.666	0.885	6.840	3.117	-0.777	0.054	0.938	0.701	7.181	1.731	1.724	51.819	51.620	43.141	2632	1994
800SG200-68	1.040	8.960	2.240	2.935	0.455	0.662	1.763	8.484	3.105	-0.767	0.047	0.939	0.933	8.960	2.240	2.235	74.340	74.180	59.159	5301	3157
800SG200-97	1.473	12.530	3.133	2.917	0.629	0.653	5.078	11.713	3.081	-0.748	0.033	0.941	1.320	12.530	3.133	3.126	107.352	107.117	93.788	10885	4451
800SG250-33	0.544	5.002	1.250	3.033	0.382	0.838	0.217	6.837	3.368	-1.202	0.321	0.873	0.360	4.848	0.980	0.967	29.352	28.942	22.427	595	595
800SG250-43	0.707	6.478	1.620	3.027	0.493	0.835	0.479	8.833	3.360	-1.196	0.317	0.873	0.522	6.468	1.363	1.349	40.806	40.395	32.761	1324	1269
800SG250-54	0.885	8.074	2.019	3.020	0.612	0.832	0.945	10.975	3.350	-1.189	0.312	0.874	0.701	8.074	1.782	1.769	53.363	52.965	45.165	2632	1994
800SG250-68	1.111	10.081	2.520	3.012	0.761	0.827	1.883	13.649	3.339	-1.179	0.305	0.875	0.923	10.081	2.304	2.291	68.996	68.586	62.282	5301	3157
800SG250-97	1.575	14.116	3.529	2.994	1.055	0.818	5.428	18.950	3.314	-1.160	0.292	0.877	1.422	14.116	3.466	3.456	115.861	115.535	100.510	10885	4451
800SG300-43	0.752	7.192	1.798	3.092	0.767	1.010	0.510	13.119	3.633	-1.617	0.573	0.802	0.518	7.010	1.387	1.368	41.519	40.945	33.663	1324	1269
800SG300-54	0.942	8.967	2.242	3.086	0.954	1.006	1.006	16.324	3.623	-1.610	0.568	0.802	0.705	8.758	1.839	1.820	55.068	54.497	46.575	2632	1994
800SG300-68	1.183	11.202	2.800	3.078	1.187	1.002	2.004	20.337	3.611	-1.601	0.562	0.803	0.934	11.142	2.394	2.373	71.673	71.061	64.531	5301	3157
800SG300-97	1.676	15.702	3.926	3.061	1.651	0.993	5.779	28.342	3.586	-1.582	0.549	0.805	1.441	15.702	3.719	3.703	111.337	110.877	105.253	10885	4451
800SG300-118	2.034	18.902	4.725	3.048	1.976	0.986	10.426														