

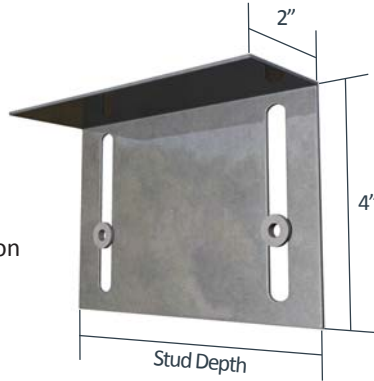
# VertiClip® SLD w/ 3" slots

Interior Head of Wall

### Material Composition

ASTM A1003/A1003M Structural Grade 50 (340) Type H, ST50H (ST340H): 50ksi (340MPa) minimum yield strength, 65ksi (450MPa) minimum tensile strength, 33mil minimum thickness (20 gauge, 0.0346" design thickness) with ASTM A653/A653M G60 (Z180) hot dipped galvanized coating.

The attachment of VertiClip to the primary structure may be made with a PAF or weld and is dependent upon the base material (steel or concrete) and the design configuration.



US Patents #5,467,566 & #5,906,080

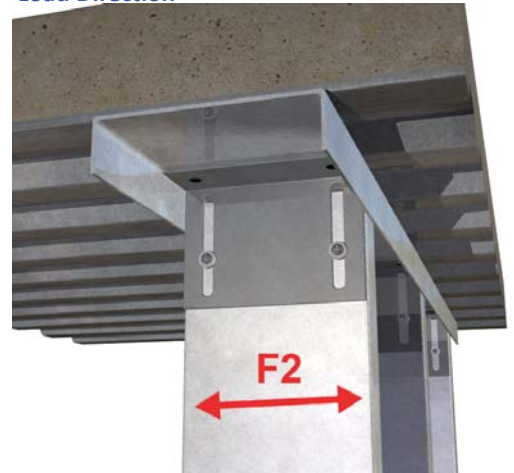
### VertiClip SLD w/ 3" Deflection Allowable (Unfactored) Loads<sup>1</sup>

VertiClip® SLD w/ 3" Deflection, Recommended Allowable Load (lbs): F2				
Stud		SLD362, s3lg,b2d	SLD600, s3lg,b2d	SLD800, s3lg,b2d
Thickness Mils (ga)	Yield Strength (ksi)	w/ 2 #8 Screws	w/ 2 #8 Screws	w/ 3 #8 Screws
18 (25)	33	132	132	132
27 (22)	33	185	242	243
30 (20 - Drywall)	33	185	242	251
33 (20 - Structural)	33	185	242	251
33 (20)	50	185	242	251
43 (18)	33	185	242	251
43 (18)	50	185	242	251
54 (16)	33	185	242	251
54 (16)	50	185	242	251
<b>Maximum Allowable Clip Load</b>		<b>185</b>	<b>242</b>	<b>251</b>

### Notes:

- Meets criteria for IBC 2009, 2012. Factor of Safety calculated according to ICC-ES AC261 and section F1 of AISI S100-07
- Fasten within 3/4" from the angle heel to minimize eccentric load transfer.
- VertiClip SLD series is designed to support horizontal loads and should not be used in axial-load-bearing wall construction.
- Total vertical deflection of up to 3" (1 1/2" up and 1 1/2" down).
- The standard bushing placement is 2" from the top of the slot and allows the structure to settle 1/2" prior to typical service.
- Allowable loads have not been increased for wind, seismic, or other factors.
- #8 screws are provided with each pre-installed step bushing.
- Tests performed with bushings centered in the 3" slots.

### Load Direction



### Nomenclature

VertiClip SLD with 3" deflection is designated by type (SLD), followed by stud depth in inches multiplied by 100, slot length (s "length in inches" lg), and bushing placement (b "distance from top slot in inches" d).

**Example:** 6" deep stud, 3" slot, bushings 2" down from top of slot

**Designate:** VertiClip® SLD600,s3lg,b2d